

Equa-Flo Junior & Sweet 16

Equa-Flo is the most accurate, versatile and cost effective distributor system available.

Internally they both contain the highly accurate distribution chamber that was independently tested and proven superior to other orificed manifolds.

Accurate: Independent testing at Iowa State University proved it was far superior to the liquid/vapor separation style distributors

Versatile: Choose from 21-port **Junior** or 16-port **Sweet 16** models

Plug the ports that are not needed and still get excellent performance

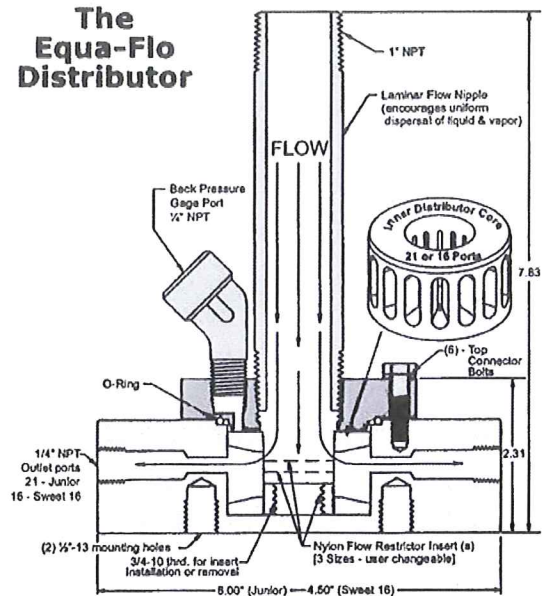
Four field-adjustable orifice settings are available to maximize performance regardless of tank pressure or application rate

Choose from the precision Equa-Flo 2, 3 or 4-way dividers for multiple manifold applications

Cost-

Effective: No need to buy an exact number of ports for an exact application - one Equa-Flo will accommodate all equipment or application changes

Single distributor costs are comparable to the less accurate liquid/vapor separation style distributors but in multiple distributor systems requiring flow dividers, the Equa-Flo system is considerably less expensive



Ordering Information

Part Number	Item Number	Description
A1804	111670	21-port Junior
A1805	111665	16-port Sweet 16
A1802	111655	2-way Splitter
A1803	111660	3-way Splitter
A1806	111675	4-way Splitter

